

HTT7101

12 bit, 3 axis accelerometer

12 bit, 3 axis accelerometer

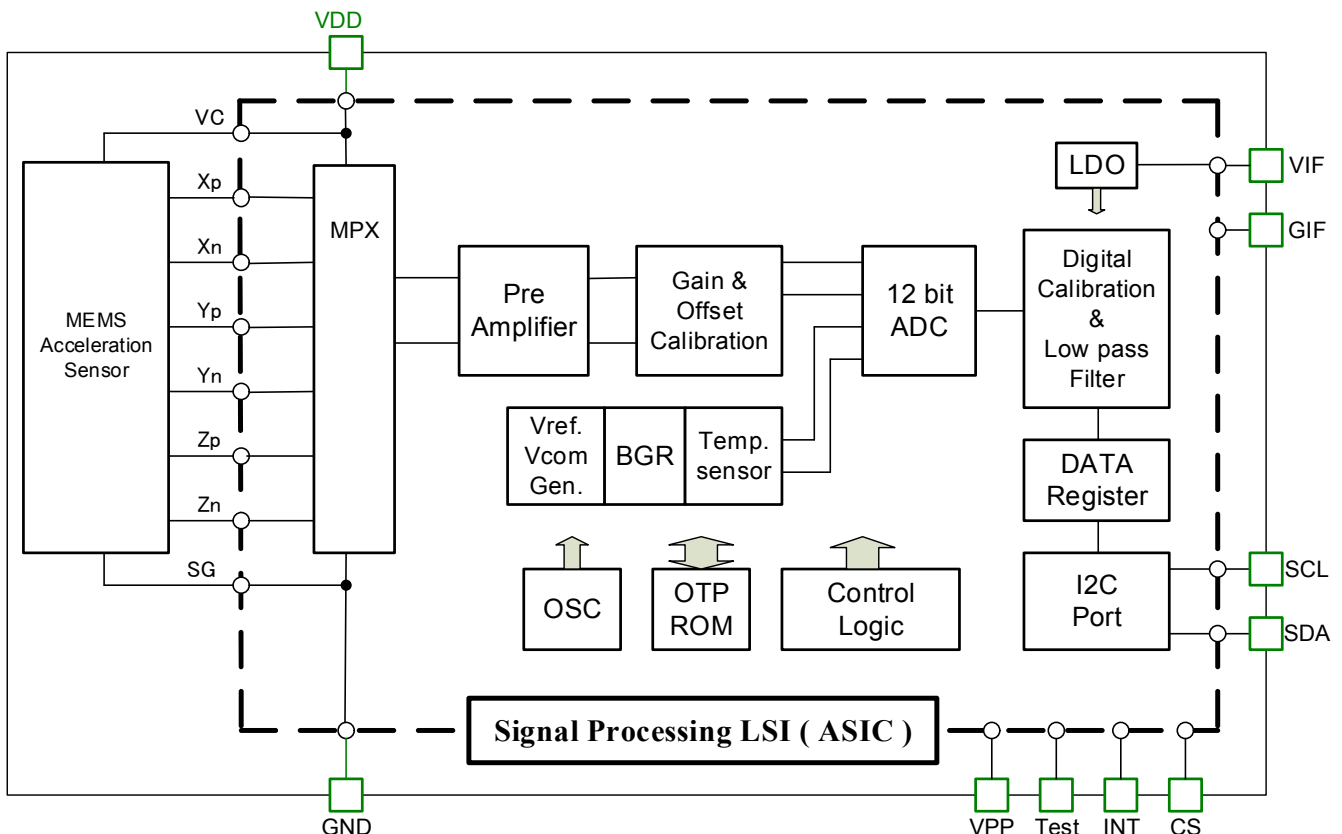
General Description

The HTT7101 is a 3-axis accelerometer which has integrated MEMS sensor and signal conditioning LSI. The MEMS sensor detects 3-axis acceleration. The signal conditioning LSI provides optimal performance with low power consumption. Digital output data interface through I2C standard. Factory calibration characterizes sensor parameters such as sensitivity and offset for all temperature range.

Features

- 3 axis digital accelerometer
- I2C digital serial interface
- Small, Surface mount Package
- Supply Range : $VDD = 2.4V \sim 3.6V$ (I/O interface : $1.7V \sim VDD$)
- High resolution A/D converter: 12 bits
- Small package: $2 \times 2 \times 1.1$ mm (12 pin)
- Operating temperature : $-40^{\circ}C \sim 85^{\circ}C$
- Motion detector provides optimum power management
- Low power mode and Power down capability

Block diagram

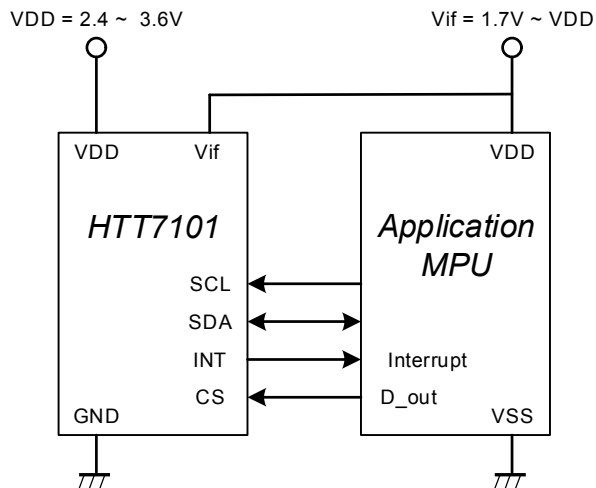


HTT7101

12 bit, 3 axis accelerometer

12 bit, 3 axis accelerometer

■ Typical Application circuit



■ Pin assignment & axis

