

Wide-Band Active Common-mode Canceller for RJ-45

Active Common-mode Noise Canceller IC for 100Base-TX, 1000Base-TX

General Description

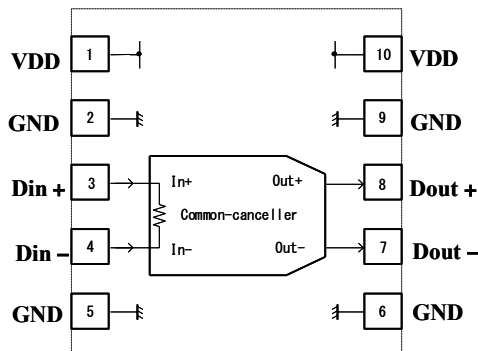
HTT2706 using 0.35 μ CMOS process is active common mode cancellation IC with 5.0V power supply. This IC will be able to ensure more than 40dB CMRR of the up to 1000MHz from DC by built-in broadband common-mode canceller. It is possible to reduce the in-phase component at all frequencies, which conventional passive CMF cannot achieve it. This IC will make it easy to design of Pulse-Transformers and EMC-designing and make Pulse-Transformer package and RJ-45 modular more small.

Achieved: HBM > 6000V

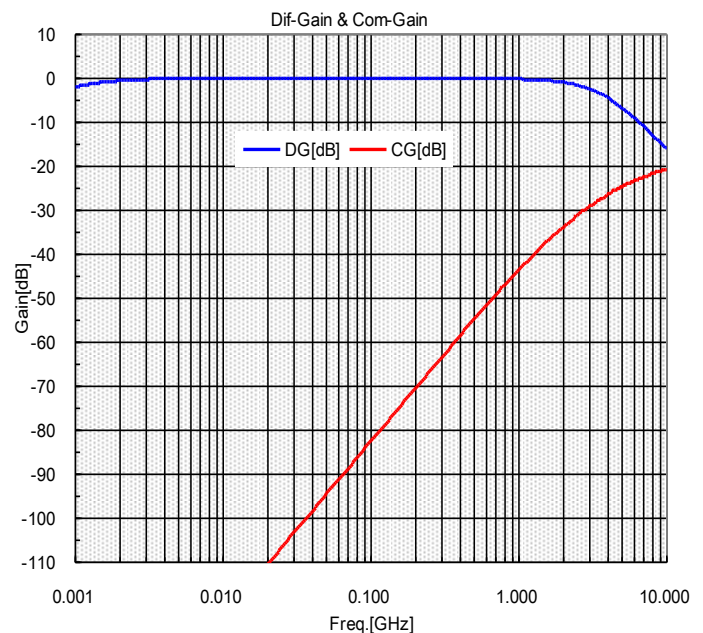
Features

- power consumption 35mW (TYP.) ($V_{DD}=5.0V, I_{DD}=7.0mA$)
- output impedance : 700 Ω (1MHz ~ 1000MHz)
- Differential Gain : ± 0.2 dB (@ 500 MHz)
- 3dB point : 2500MHz
- CMRR : > 40 dB (0 ~ 1000 MHz)
- Output level : 2.0Vpp (Open-Load, @VDD=5.0V)
- Operating temperature range : $-40^{\circ}C \sim +125^{\circ}C$
- Storage temperature range : $-55^{\circ}C \sim +125^{\circ}C$
- HBM : > 6000V

Pin & name



Frequency characteristics



Application Note (ex. 1000Base-TX)

